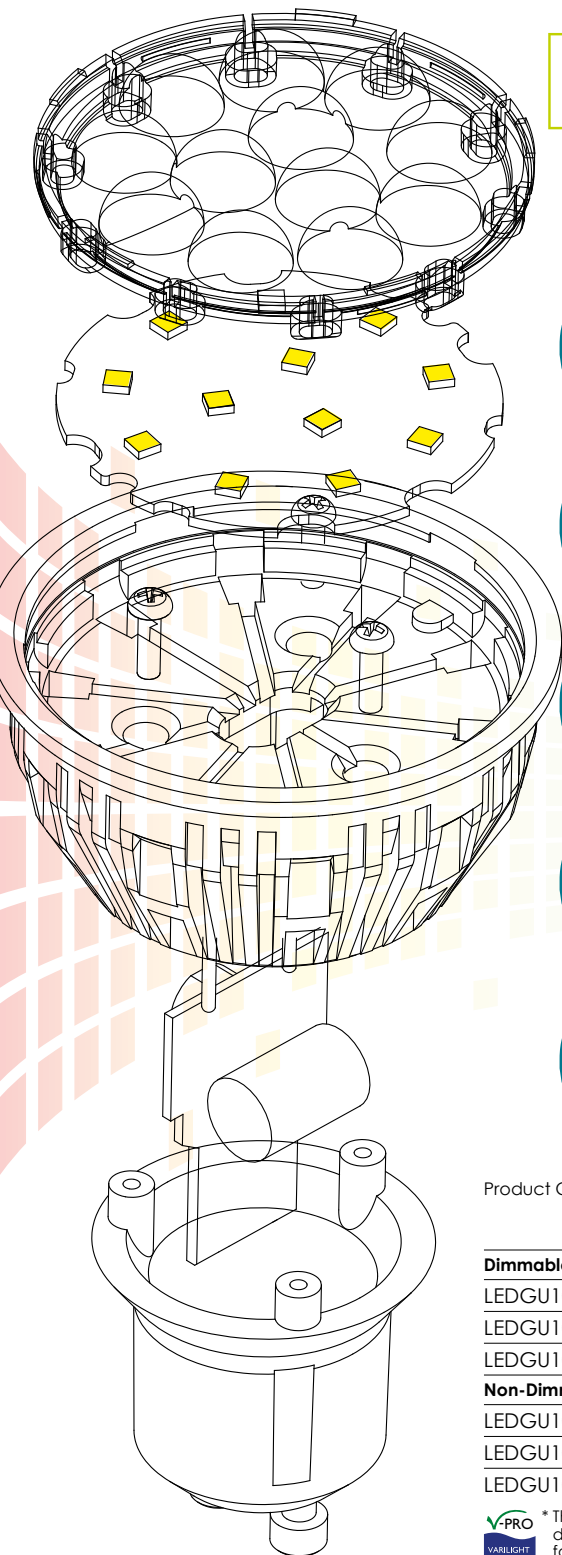




Not all LED GU10's
Are the same!!



LED 5W LED GU10 SMD



Innovative lens with perfect light distribution

SMD LEDs are loaded to only 66% capacity to achieve higher lumen efficacy and increase lifespan

Revolutionary Air-flux structure for efficient heat dissipation

Stable long-life LED driver with high efficiency

GU10 base suitable for fire-rated downlights

| Product Code | Watts (W) | Volts (V) | Cap | Colour Appearance | Colour Temp (K) | Initial Lumens (lm) | Beam Angle | Average Rated Life (hrs) | Dimensions (mm) | |
|-----------------------------------|-----------|-----------|------|-------------------|-----------------|---------------------|------------|--------------------------|-----------------|----|
| | | | | | | | | | Dia | H |
| Dimmable Single Carton | | | | | | | | | | |
| LEDGU105WWSMD-DIM* | 5 | 240 | GU10 | Warm White | 3000 | 400 | 50° | 30,000 | 50 | 54 |
| LEDGU105CWSMD-DIM* | 5 | 240 | GU10 | Cool White | 4000 | 400 | 50° | 30,000 | 50 | 54 |
| LEDGU105DLSMD-DIM* | 5 | 240 | GU10 | Daylight | 6000 | 400 | 50° | 30,000 | 50 | 54 |
| Non-Dimmable Single Carton | | | | | | | | | | |
| LEDGU105WWSMD | 5 | 240 | GU10 | Warm White | 3000 | 400 | 50° | 30,000 | 50 | 54 |
| LEDGU105CWSMD | 5 | 240 | GU10 | Cool White | 4000 | 400 | 50° | 30,000 | 50 | 54 |
| LEDGU105DLSMD | 5 | 240 | GU10 | Daylight | 6000 | 400 | 50° | 30,000 | 50 | 54 |



* The lamp may not be compatible with all dimmer switches. Crompton Lamps recommends use of Varilight V-Pro dimmers. Note: The circuit load should not exceed 10% of the maximum dimmer rating. Contact Crompton Lamps for more information or for range and prices of Varilight V-Pro Dimmers.

We have valued our reputation since 1878, why risk yours with anyone else?

Crompton Lamps Limited registered in England and Wales No. 05590551
Registered office and correspondence address: Unit 2, Marrtree Business Park, Bowling Back Lane, Bradford BD4 8QE

Tel: +44 (0)845 612 8151 **Fax:** +44 (0)845 612 8171 **Email:** sales@cromptonlamps.com **Web:** www.cromptonlamps.com