

16767

PHOEBE
LED

Firesafe Adjustable Fire-Rated GU10 Downlight

Compatible with interchangeable IP20 slim bezels in white, black, polished chrome, and satin nickel finishes.

- Designed for use with GU10 lamps
- Insulation coverable
- 30/60/90 min fire safety test & certification
- Screwless terminal housing
- Suitable for both residential & hospitality application



Technical Specifications

General

Part Code:	16767
Product Name:	Firesafe Adjustable Fire-Rated GU10 Downlight
Nominal Voltage:	220-240V
Nominal Wattage:	7W
Dimmable:	Non-Dim

Electrometry

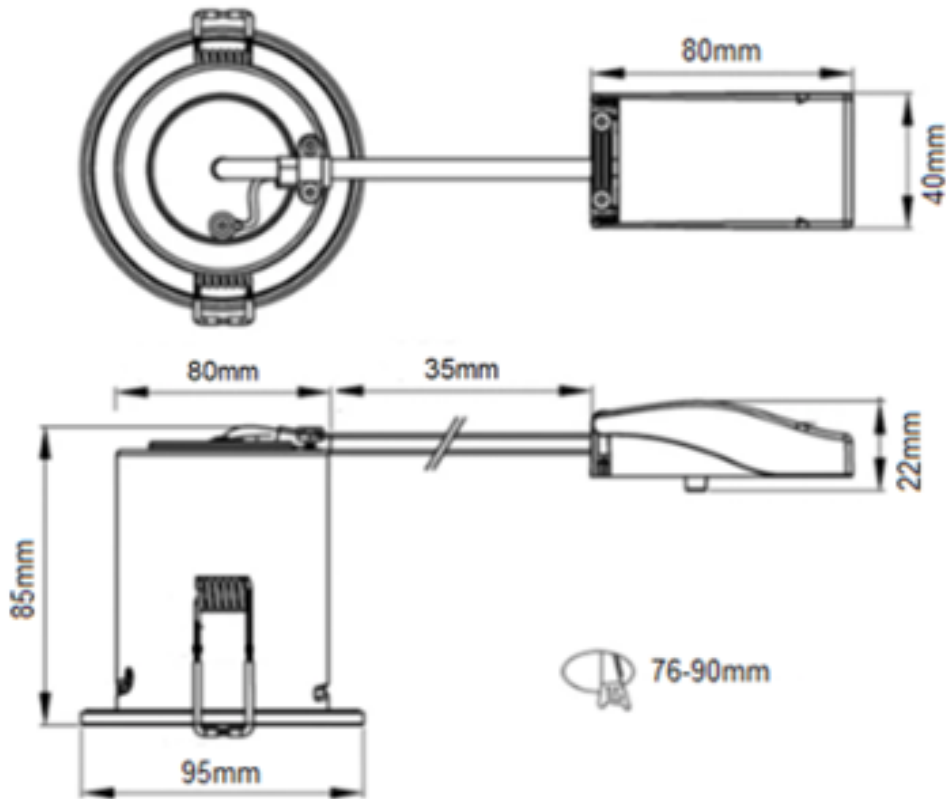
Rated Wattage (0.1W Precision):	GU10 lamps upto 7W
Voltage:	220-240V AC
Operating Frequency:	50/60Hz

Life Span

Warranty:	2 years
-----------	---------

Dimensions

Diameter max:	95mm
Diameter Can:	75mm
Height H:	85mm
Cutout Diameter :	76-90mm
Product Weight:	0.188KG



Mechanical

Housing Material:	Steel & Polycarbonate
Ingress Protection Code:	IP20 - with Bezel
Appliance Class:	I
Mercury (Hg) Content:	0mg
Ambient Operating Temperature:	-20°C ~ 50°C
Fire Rating:	30, 60, 90minutes [BS476]

Compatible IP20 Bezels

White	16859
Chrome	16873
Satin Nickel;	16880
Black	16866

Packaging

EAN13 Barcode:	5055579316767
Single Carton Length:	105mm
Single Carton Width:	110mm
Single Carton Height:	110mm
Single Carton Volume:	1270.5cm ³
Single Carton Weight:	0.225KG
Outer Carton GS1-128 Barcode:	02050555793167673740
Outer Carton Quantity:	40
Outer Carton Length:	2400mm
Outer Carton Width:	5450mm
Outer Carton Height:	4600mm
Outer Carton Volume:	60168cm ³
Outer Carton Weight:	9.1KG

Standards and Approvals

CE Mark:	Yes
UKCA Mark:	Yes
Date of manufacture coded:	Yes
Country of manufacture	China
WEEE recycling verification	Yes
Certificate of conformity	Available on request
Accredited Mambers	LIA

