



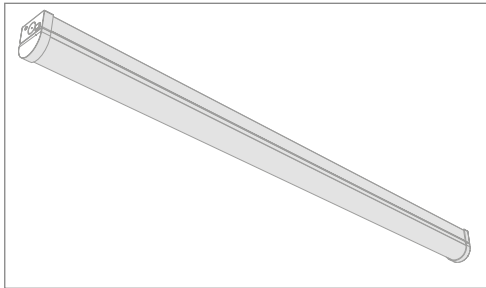
ORACLE

Installation Instructions

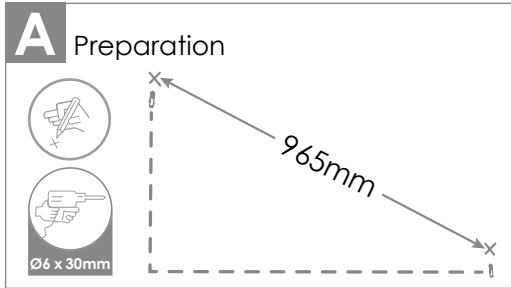


Code	Length	Width	Height	Wattage	Voltage	IP Rating	IK Rating	Total Lumens	Ambient Operating Temperature	Beam Angle	Weight
16897	4ft/1200mm	61mm	71mm	20/26/30/37W				5500lm			1.25 KG
16963	5ft/1500mm	61mm	71mm	30/35/42/50W	220-240V 50/60Hz	IP20	IK08	7500lm	-20°C to 50°C	120°	1.6 KG
16910	6ft/1800mm	61mm	71mm	35/42/50/62W				9300lm			1.9 KG

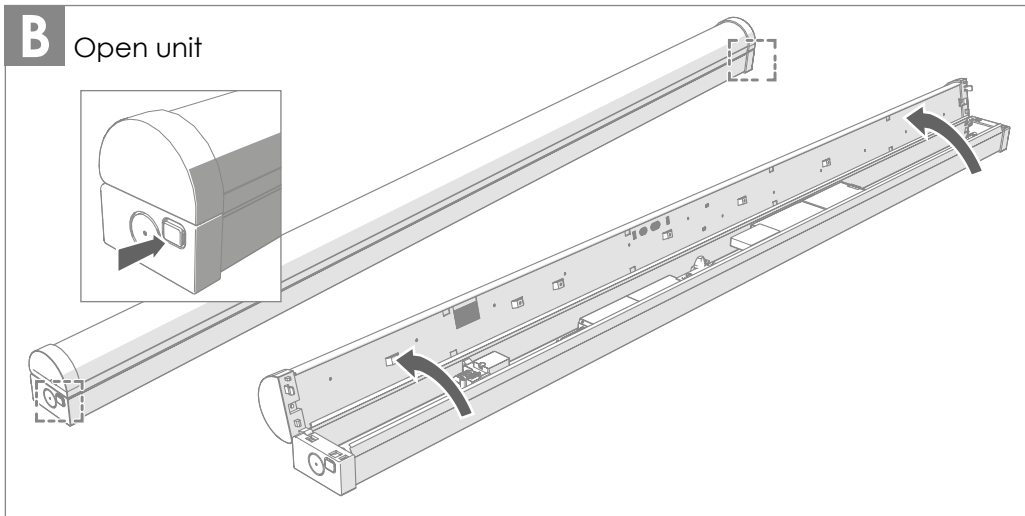
Modules		
16927	Microwave Sensor Module	0.04KG
16934	3-Hour Emergency Module with Manual Test Function	0.234KG
17009	3-Hour Emergency Module with Self Test Function	0.234KG



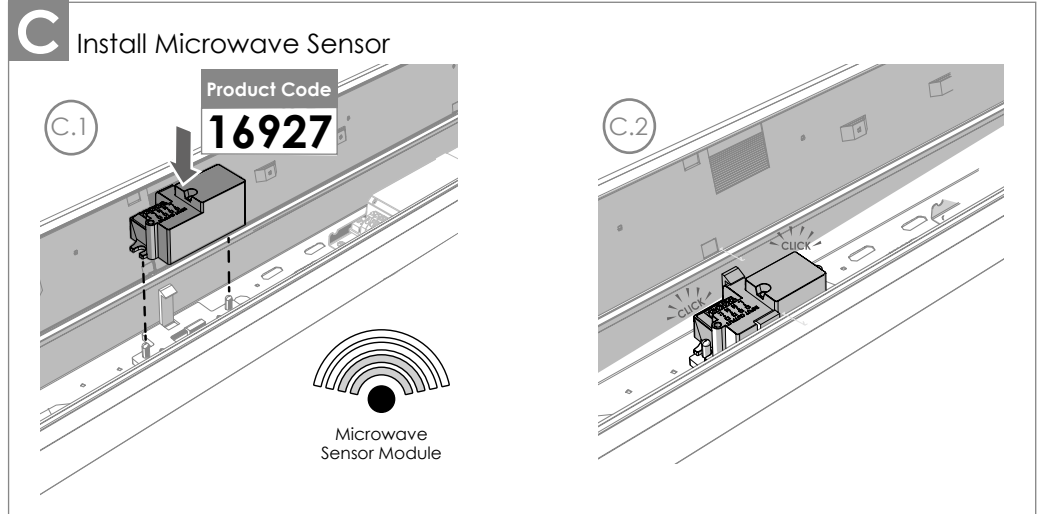
○ Use an appropriate amount of fixtures to hold the unit weight



○ Prepare surface/mount ensure mount can hold the product weight

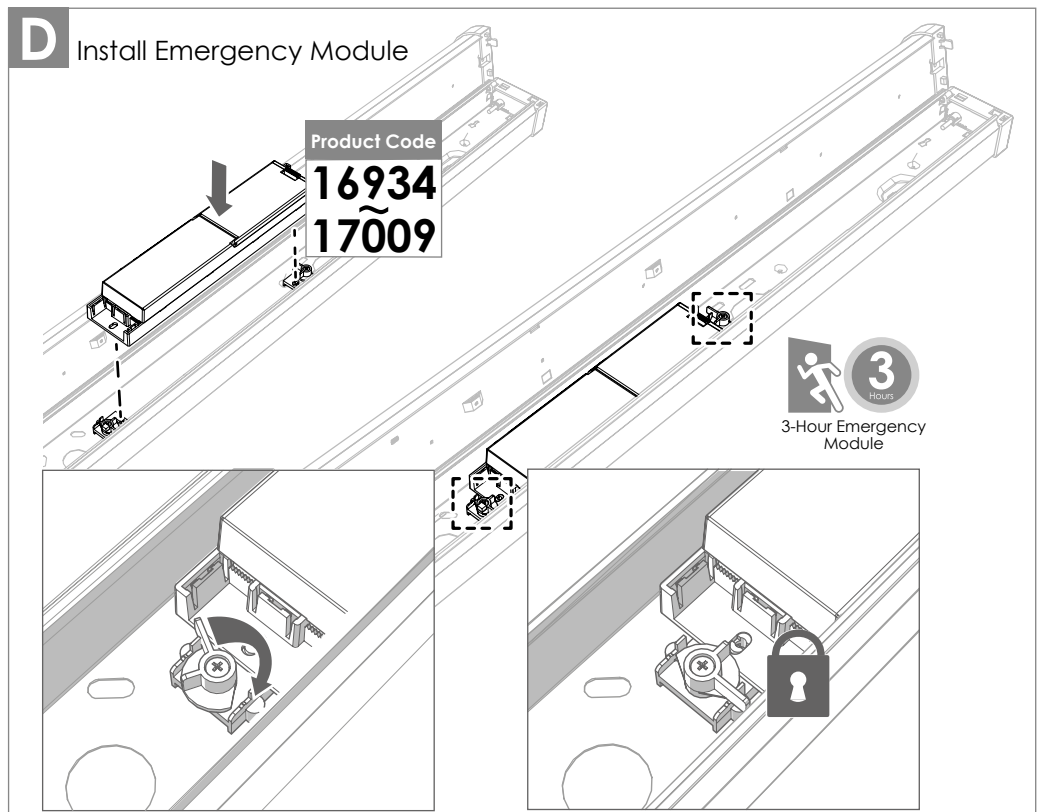


○ Push in lock buttons on either end and open as indicated



C.1 Align with tabs

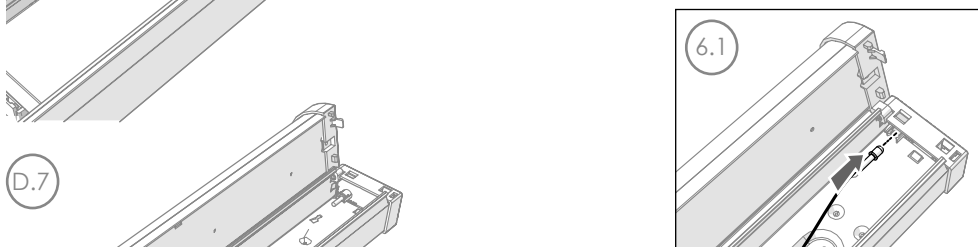
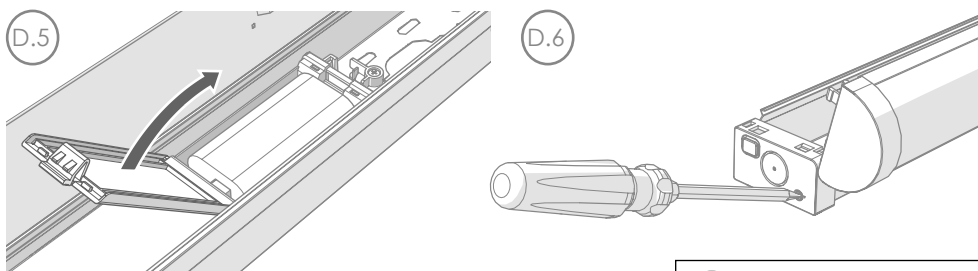
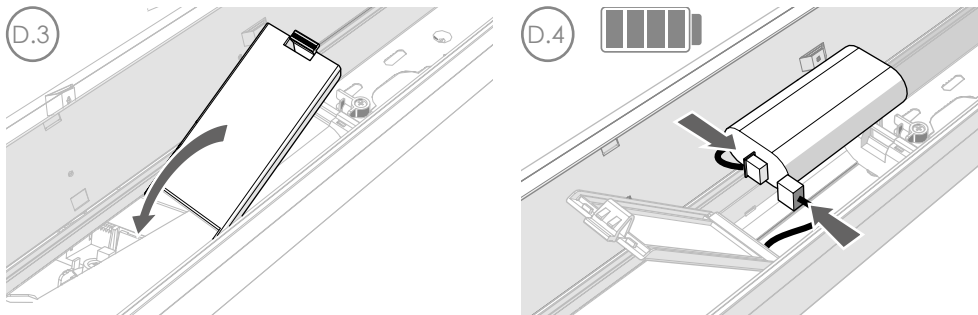
C.2 Push until locked into position



D.1 Align with tabs

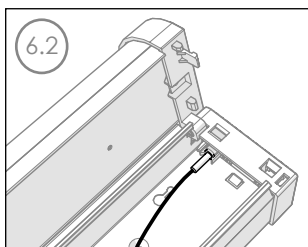
D.2 Turn locking tabs into locked position

D Install Emergency Module (Continued)



MANUAL TEST

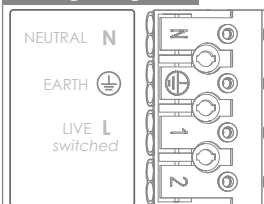
1-3 second hold = 5 sec. EM test
>10 second hold = RESET



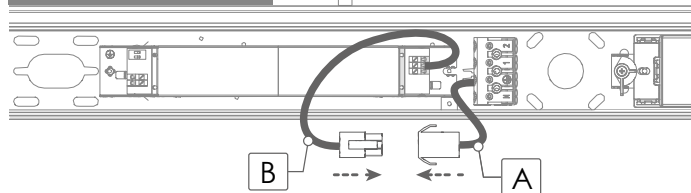
- D.3 Open battery compartment
- D.4 Connect 3.2V LiFePO4 1W / 1500mA battery
- D.5 Close battery compartment
- D.6 Push out LED status light bung
- D.7 For Manual test follow above testing guide, open cover for access.
- 6.1 Align LED status light
- 6.2 Push LED status light into place

E Wiring + Connection Information

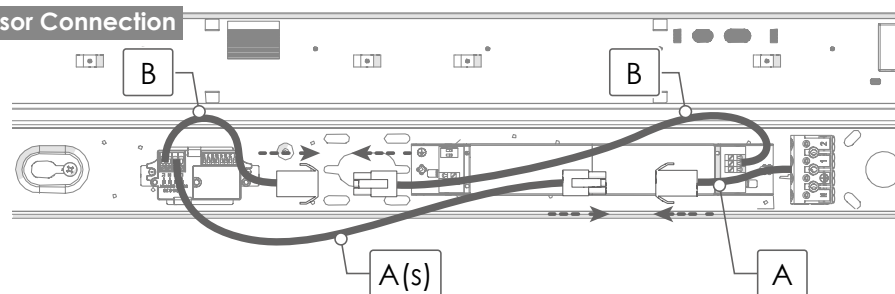
Wiring Diagram



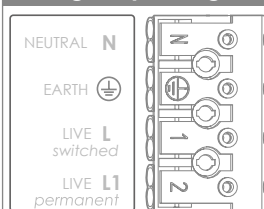
Standard Connection



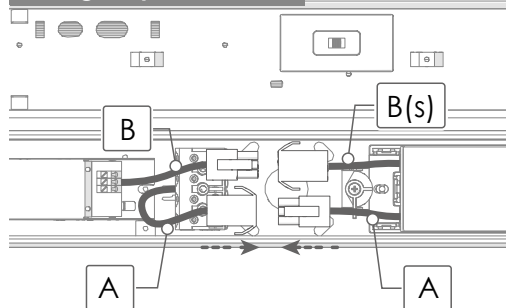
Sensor Connection



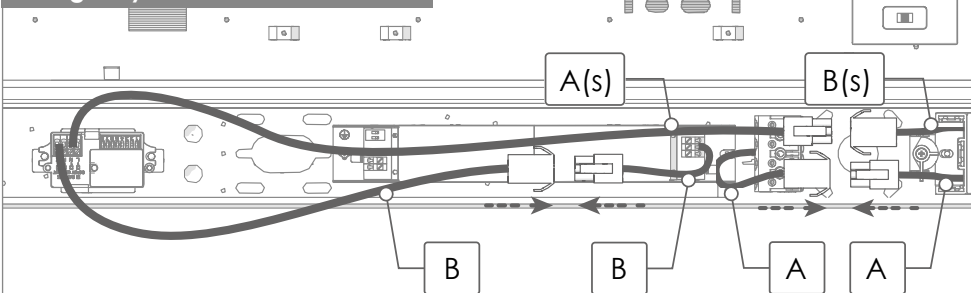
Emergency Wiring Diagram



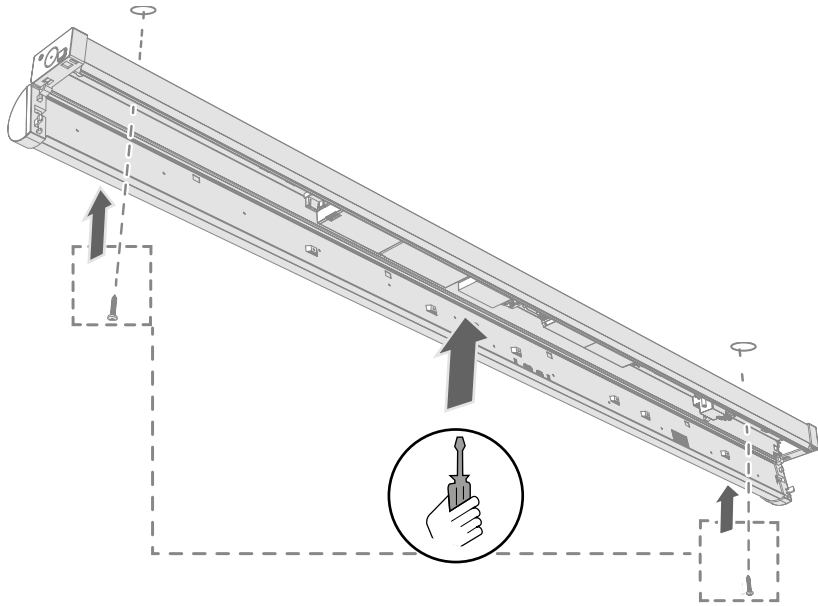
Emergency Connection



Emergency Plus Sensor Connection

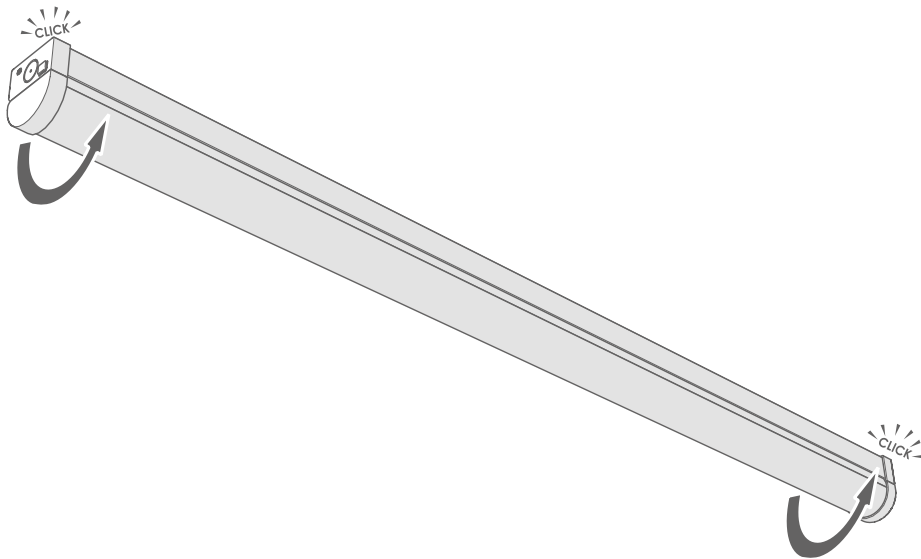


F Final Install



Offer up luminaire

Screw into position using appropriate fixings

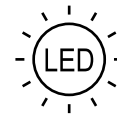


Close fitting

Ensure locking clips have engaged

G Emergency Indicator

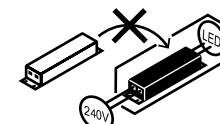
LED	LED Colour	Status
ON	GREEN	Battery Good
ON / OFF / ON (0.25 sec)	GREEN	On / Off Test
ON / OFF / ON (1 sec)	GREEN	Timed Test
ON	RED	LED OR Power Issue
ON / OFF / ON (0.25 sec)	RED	Low or Faulty Battery
ON / OFF / ON (1 sec)	RED	Charge or Live Error
OFF	RED + GREEN	Switch Live or Live Error



Non-Replaceable LED



Non-Replaceable control gear

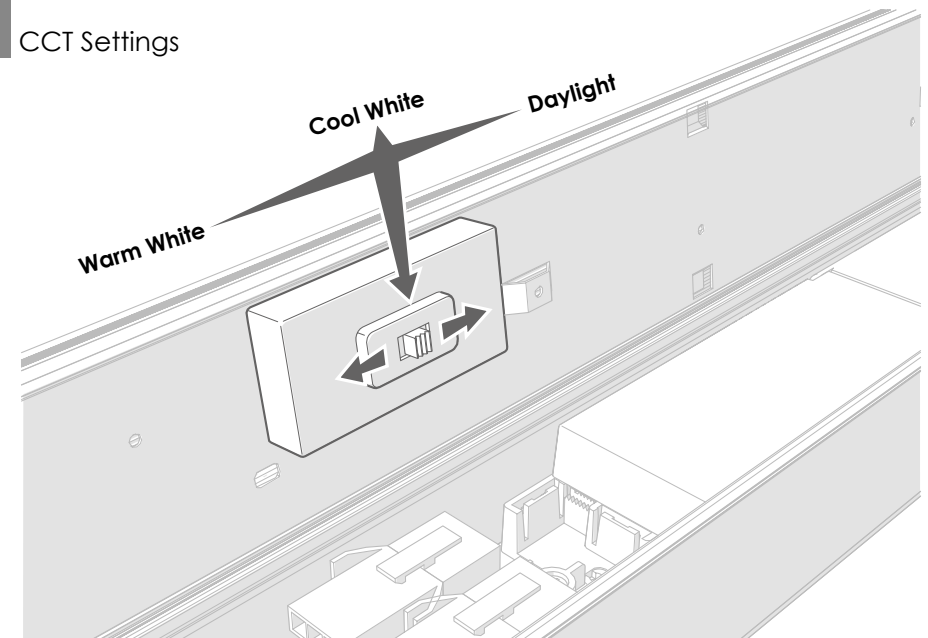


3.2V LiFePO4 1W / 1500mA battery



Battery Replaceable by Professional

H CCT Settings



Turn off power and open cover

Toggle CCT switch to select colour settings

