

16750

PHOEBE
LED

Firesafe Fixed Fire-Rated GU10 Downlight

Compatible with interchangeable IP20 or IP65 slim bezels in white, black, polished chrome, and satin nickel finishes.

- Designed for use with GU10 lamps
- Insulation coverable
- 30/60/90 min fire safety test & certification
- Screwless terminal housing
- Suitable for both residential & hospitality application



Technical Specifications

General

Part Code:	16750
Product Name:	Firesafe Fixed Fire-Rated GU10 Downlight
Nominal Voltage:	220-240V
Nominal Wattage:	7W
Dimmable:	Non-Dim

Electrometry

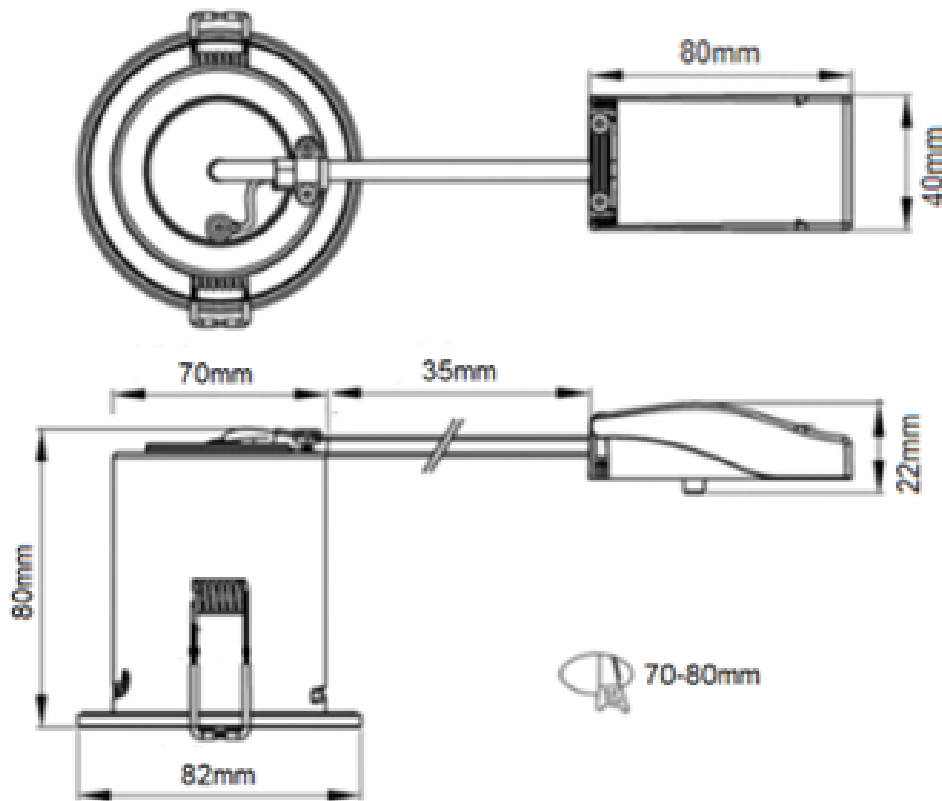
Rated Wattage (0.1W Precision):	GU10 lamps upto 7W
Voltage:	220-240V AC
Operating Frequency:	50/60Hz

Life Span

Warranty:	2 years
-----------	---------

Dimensions

Diameter max:	83mm
Diameter Can:	70mm
Height H:	80mm
Cutout Diameter :	70-80mm
Product Weight:	0.153KG



Mechanical

Housing Material:	Steel & Polycarbonate
Ingress Protection Code:	IP20/IP65 - Bezel Dependant
Appliance Class:	I
Mercury (Hg) Content:	0mg
Ambient Operating Temperature:	-20°C ~ 50°C
Fire Rating:	30, 60, 90minutes [BS476]

Compatible Bezels	IP20	IP65
White	16774	16811
Chrome	16798	16835
Satin Nickel;	16804	16842
Black	16781	16828

Packaging

EAN13 Barcode:	5055579316750
Single Carton Length:	100mm
Single Carton Width:	90mm
Single Carton Height:	100mm
Single Carton Volume:	900cm ³
Single Carton Weight:	0.182KG
Outer Carton GS1-128 Barcode:	02050555793167503740
Outer Carton Quantity:	40
Outer Carton Length:	2200mm
Outer Carton Width:	4700mm
Outer Carton Height:	4200mm
Outer Carton Volume:	43428cm ³
Outer Carton Weight:	7.3KG

Standards and Approvals

CE Mark:	Yes
UKCA Mark:	Yes
Date of manufacture coded:	Yes
Country of manufacture	China
WEEE recycling verification	Yes
Certificate of conformity	Available on request
Accredited Mambers	LIA

